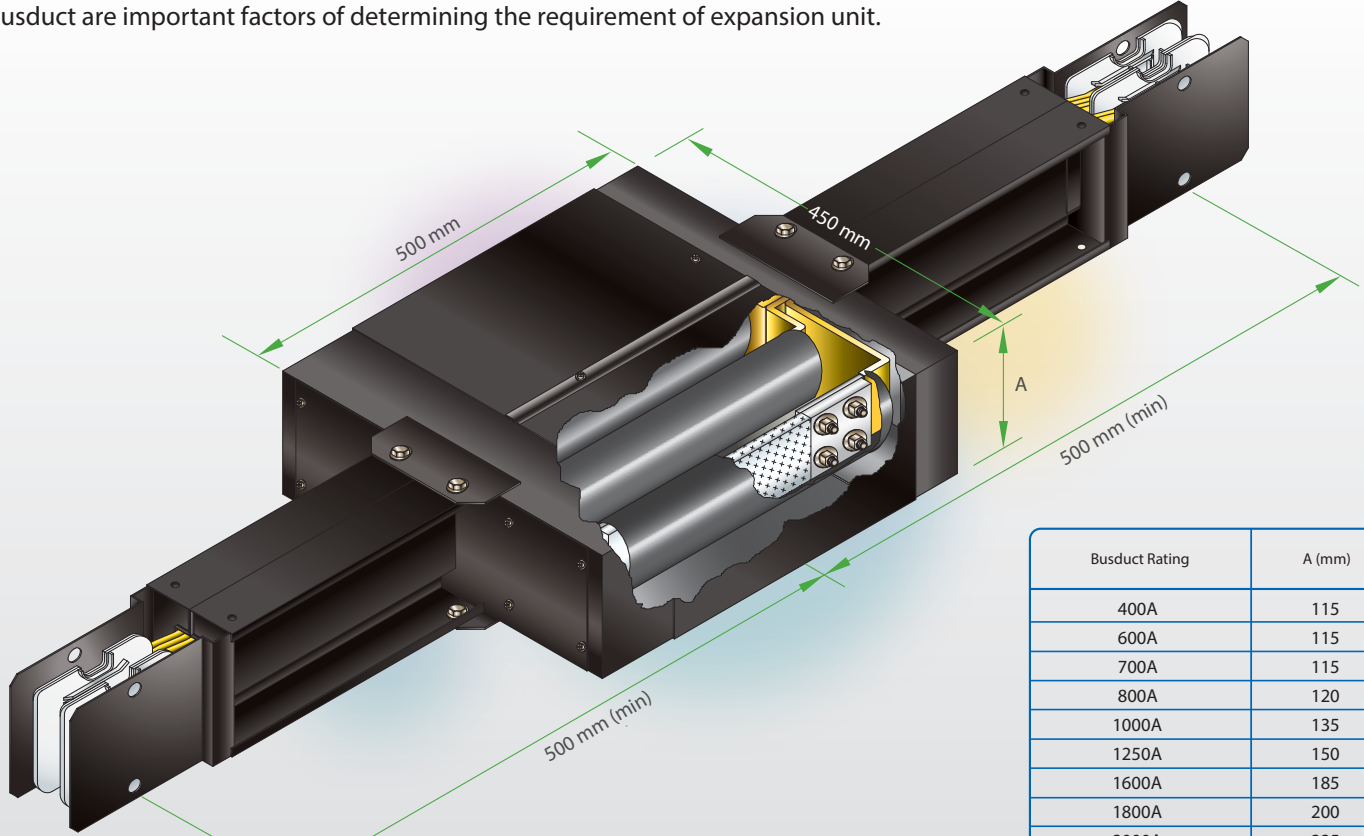


## Expansion Unit

The busduct system expands and contracts when the electrical load and the ambient temperature vary. The expansion unit is the transition section compensating the thermal expansion and contraction. The requirement of expansion unit in a vertical installation is determined by the method of how both ends of busduct system are supported. The use of plug in hole and total length of vertical busduct are important factors of determining the requirement of expansion unit.



Busduct Rating	A (mm)
400A	115
600A	115
700A	115
800A	120
1000A	135
1250A	150
1600A	185
1800A	200
2000A	225
2200A	250
2500A	275
3000A	370
3500A	400
4000A	450
4500A	500
5000A	550
6300A	750

Supporting Condition	Use of Plug in hole	Fig.	Maximum Length (L) without expansion unit
Both ends free	Plug in hole on each floor	1	≤ 120 mtr
One end free	Plug in hole on each floor	2	≤ 90 mtr
One end fixed	No Plug in hole	3	≤ 30 mtr
Both ends fixed	Plug in hole on each floor	4	≤ 30 mtr
	No Plug in hole	5	≤ 15 mtr

