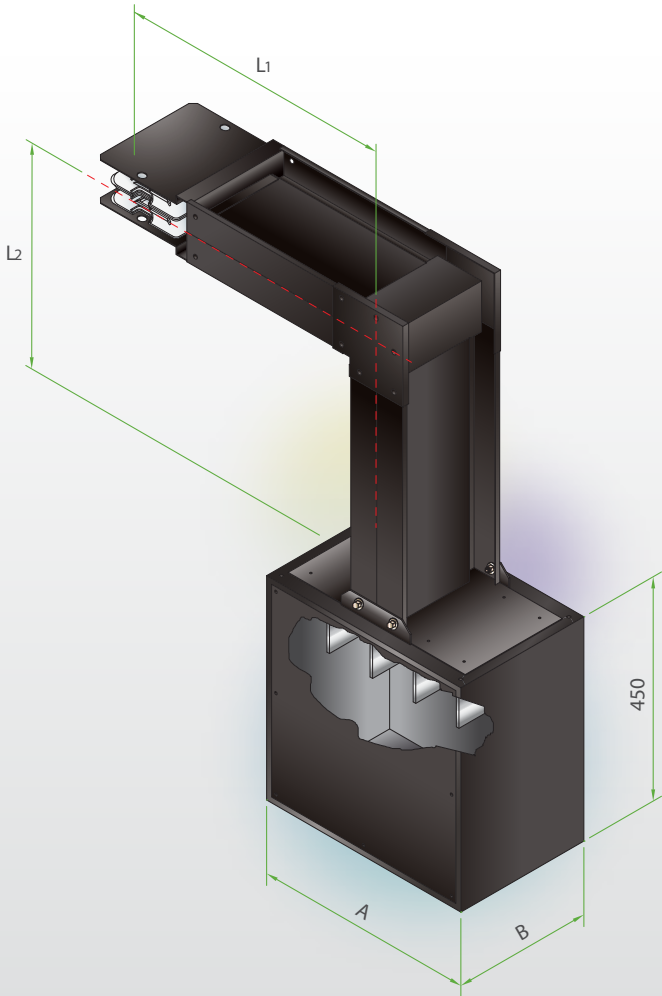
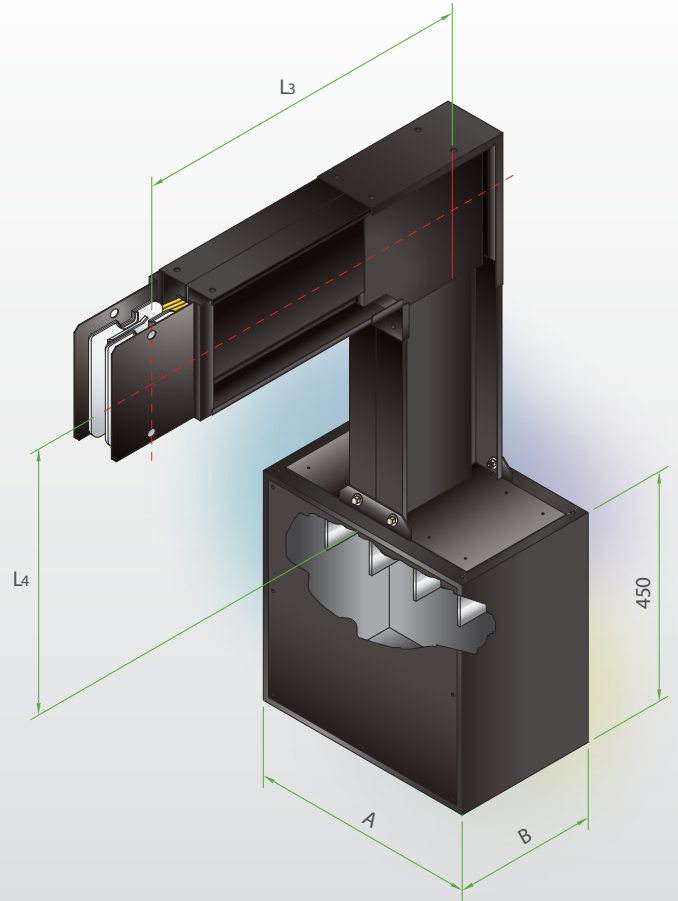


## Elbow with Flange End / Flange End Box



Edgewise Elbow with Flange End box



Flatwise Elbow with Flange End box

Busduct Rating	Standard Length (mm)				Minimum Length (mm)			
	L <sub>1</sub>	L <sub>2</sub>	L <sub>3</sub>	L <sub>4</sub>	L <sub>1</sub>	L <sub>2</sub>	L <sub>3</sub>	L <sub>4</sub>
400A	400	400	400	400	275	275	300	185
600A							300	185
700A							300	185
800A							300	185
1000A							310	195
1250A							315	200
1600A			335				220	
1800A			340				225	
2000A			355				240	
2200A			365				250	
2500A			380				260	
3000A			425				310	
3500A			440				325	
4000A			465				350	
4500A			490				375	
5000A			515				400	
6300A	615	500						

Refer to page 10 and 11 for dimensions of A and B