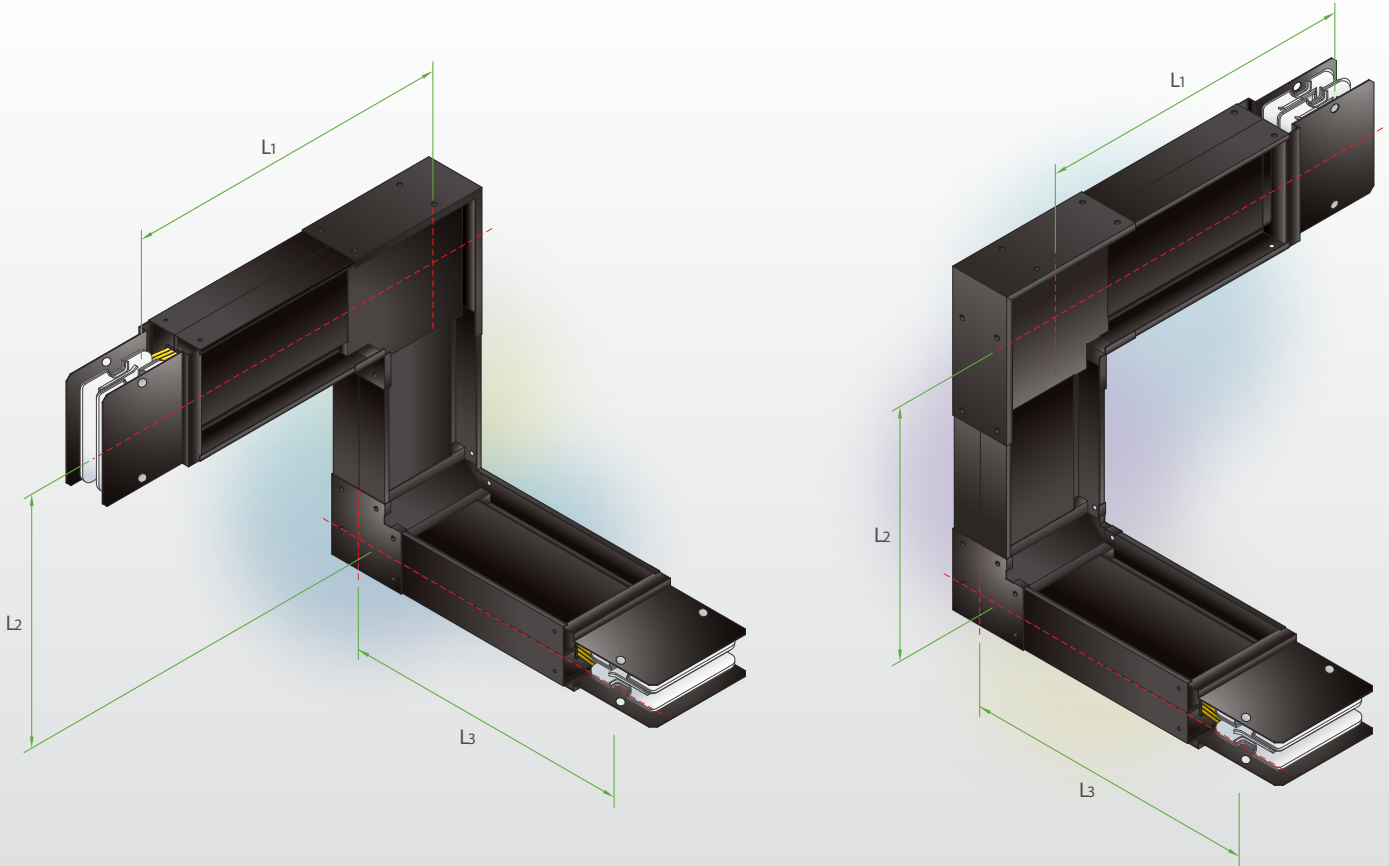


## Combination Elbow



Busduct Rating	Standard Length L <sub>1</sub> x L <sub>2</sub> x L <sub>3</sub> (mm)	Minimum Length L <sub>1</sub> x L <sub>2</sub> x L <sub>3</sub> (mm)
400A	400 x 400 x 400	300 x 235 x 270
600A		300 x 235 x 270
700A		300 x 235 x 270
800A		300 x 235 x 270
1000A		310 x 245 x 270
1250A		315 x 250 x 270
1600A		335 x 270 x 270
1800A		340 x 275 x 270
2000A		355 x 290 x 270
2200A		365 x 300 x 270
2500A		380 x 315 x 270
3000A		550 x 550 x 550
3500A	440 x 375 x 270	
4000A	465 x 400 x 270	
4500A	490 x 425 x 270	
5000A	515 x 450 x 270	
6300A	650 x 650 x 650	

Note : Maximum length of combination elbow ( L<sub>1</sub> + L<sub>2</sub> + L<sub>3</sub> ) is 2500mm