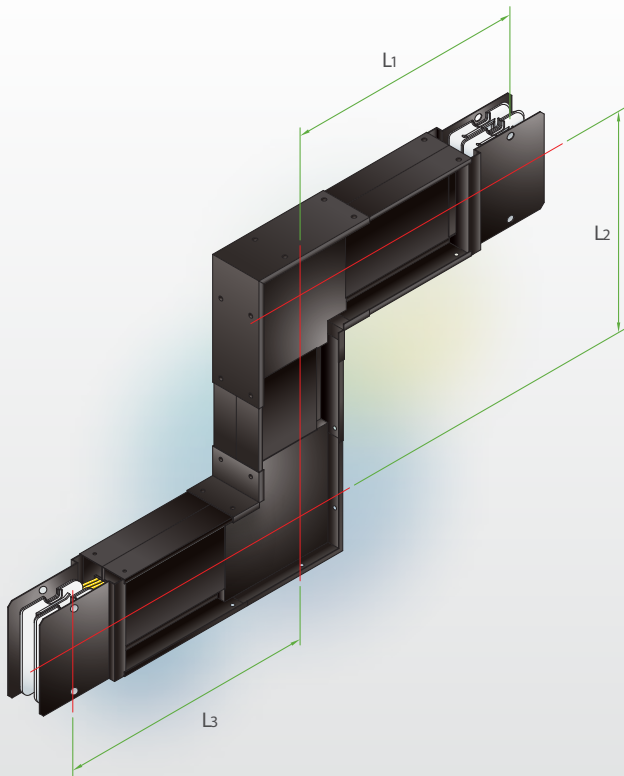
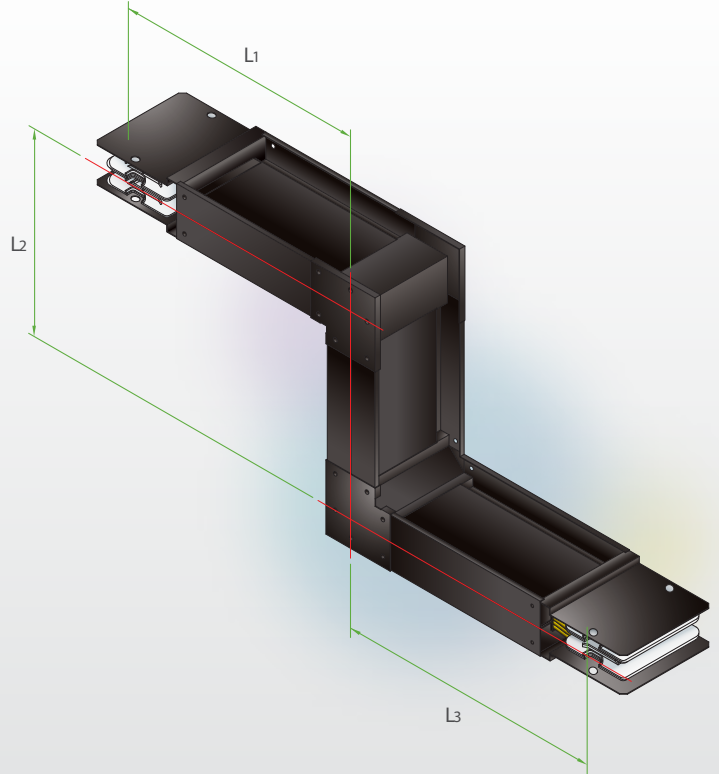


Flatwise Offset Elbow / Edgewise Offset Elbow



Flatwise Offset Elbow



Edgewise Offset Elbow

Busduct Rating	Flatwise Offset		Edgewise Offset	
	Standard Length L ₁ x L ₂ x L ₃ (mm)	Minimum Length L ₁ x L ₂ x L ₃ (mm)	Standard Length L ₁ x L ₂ x L ₃ (mm)	Minimum Length L ₁ x L ₂ x L ₃ (mm)
400A	400 x 450 x 400	300 x 265 x 300	400 x 400 x 400	270 x 200 x 270
600A		300 x 265 x 300		
700A		300 x 265 x 300		
800A		300 x 265 x 300		
1000A		310 x 280 x 310		
1250A		315 x 295 x 315		
1600A		335 x 330 x 335		
1800A		340 x 345 x 340		
2000A		355 x 370 x 355		
2200A		365 x 395 x 365		
2500A	380 x 420 x 380			
3000A	550 x 450 x 550	425 x 330 x 425		
3500A		440 x 345 x 440		
4000A		465 x 370 x 465		
4500A		490 x 395 x 490		
5000A		515 x 420 x 515		
6300A		650 x 450 x 650	615 x 395 x 615	

Note : Maximum length of offset elbow (L₁ + L₂ + L₃) is 2500mm