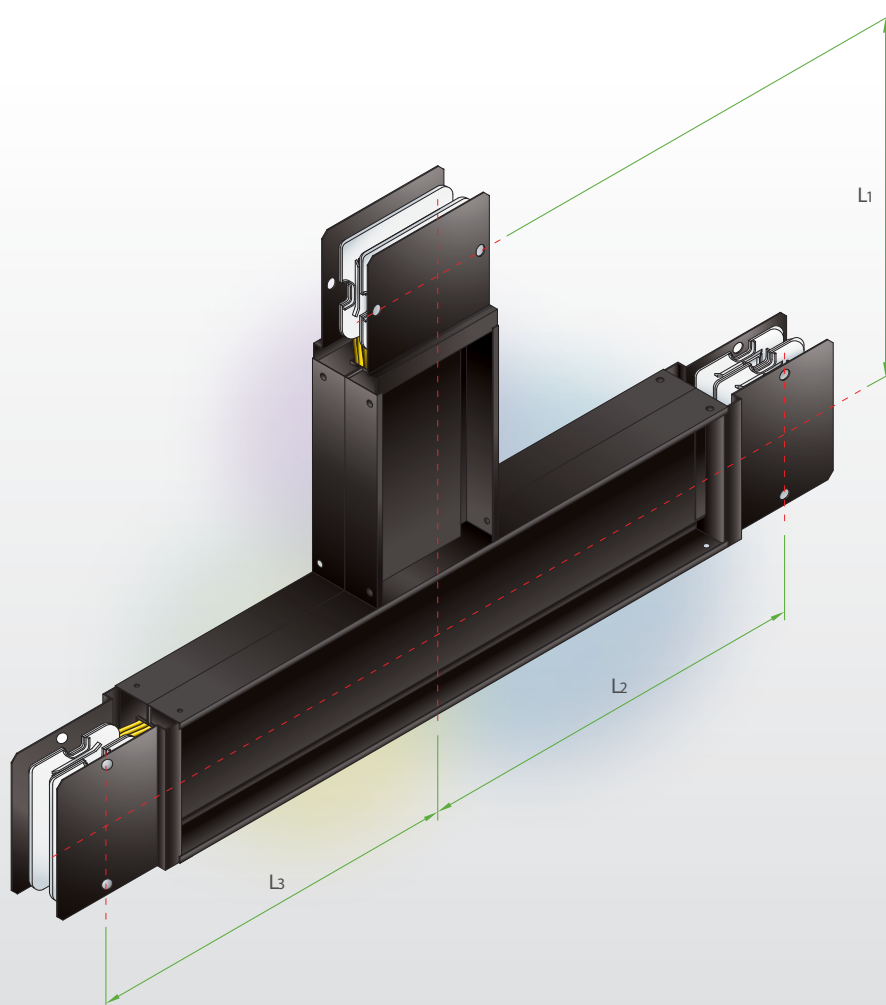


Flatwise Tee Elbow



Busduct Rating	Standard Lengths L ₁ x L ₂ x L ₃ (mm)	Minimum Lengths L ₁ x L ₂ x L ₃ (mm)
400A	400 x 400 X 400	270 x 270 x 270
600A		270 x 270 x 270
700A		270 x 270 x 270
800A		270 x 270 x 270
1000A		280 x 280 x 280
1250A		285 x 285 x 285
1600A		305 x 305 x 305
1800A		310 x 310 x 310
2000A		325 x 325 x 325
2200A		335 x 335 x 335
2500A		350 x 350 x 350
3000A		500 x 500 x 500
3500A	410 x 410 x 410	
4000A	435 x 435 x 435	
4500A	460 x 460 x 460	
5000A	485 x 485 x 485	
6300A	600 x 600 x 600	

Note : Maximum length of TEE elbow (L₁ + L₂ + L₃) is 2500mm