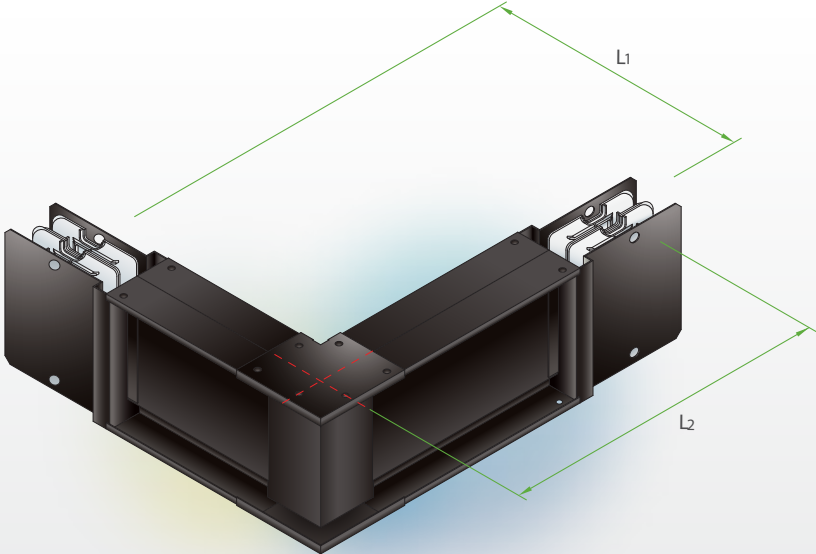


# Flatwise Elbow / Edgewise Elbow

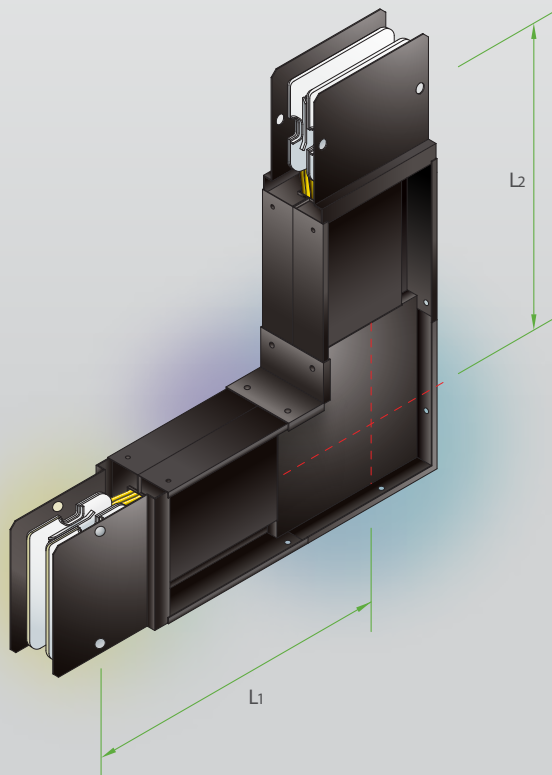
## Edgewise Elbow



Busduct Rating	Standard Lengths $L_1 \times L_2$ (mm)	Minimum Lengths $L_1 \times L_2$ (mm)
400A to 6300A	400 x 400	270 x 270

Note : Maximum length of edgewise elbow ( $L_1 + L_2$ ) is 2500mm

## Flatwise Elbow



Busduct Rating	Standard Lengths $L_1 \times L_2$ (mm)	Minimum Lengths $L_1 \times L_2$ (mm)	
400A	400 x 400	300 x 300	
600A		300 x 300	
700A		300 x 300	
800A		300 x 300	
1000A		310 x 310	
1250A		315 x 315	
1600A		335 x 335	
1800A		340 x 340	
2000A		355 x 355	
2200A		365 x 365	
2500A	380 x 380	550 x 550	
3000A	425 x 425		
3500A	440 x 440		
4000A	465 x 465		
4500A	490 x 490		
5000A	515 x 515		
6300A	650 x 650		615 x 615

Note : Maximum length of flatwise elbow ( $L_1 + L_2$ ) is 2500mm