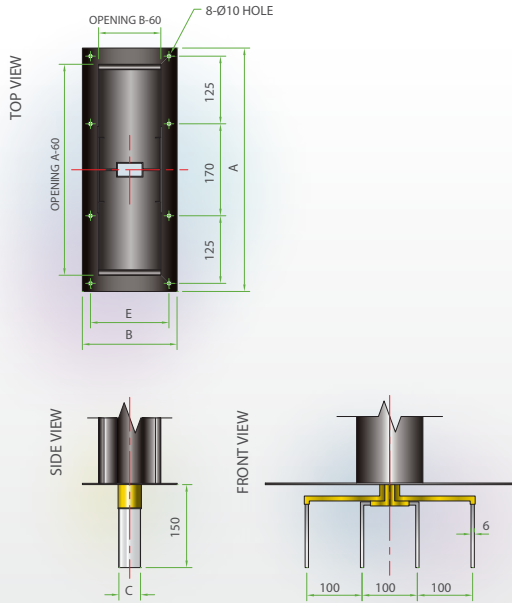
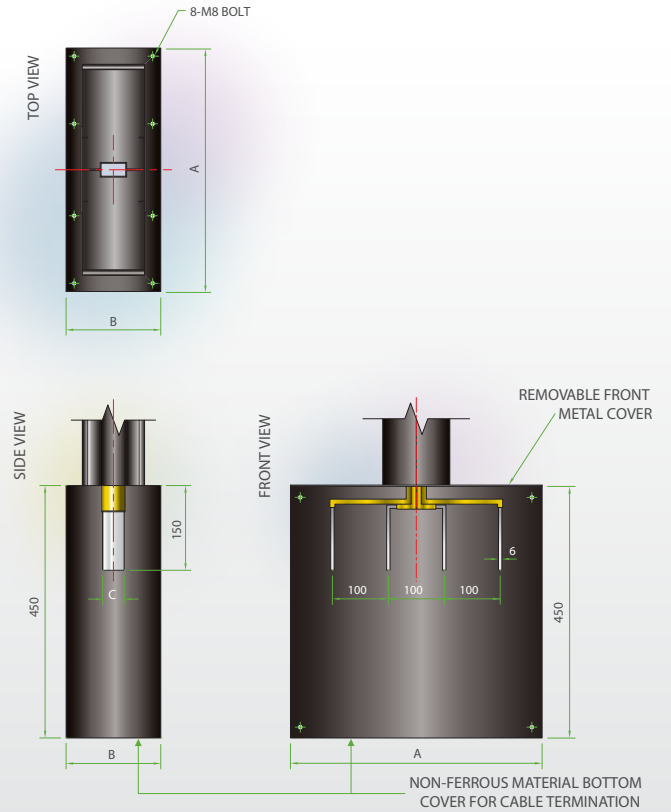


Flange End / Flange End Box

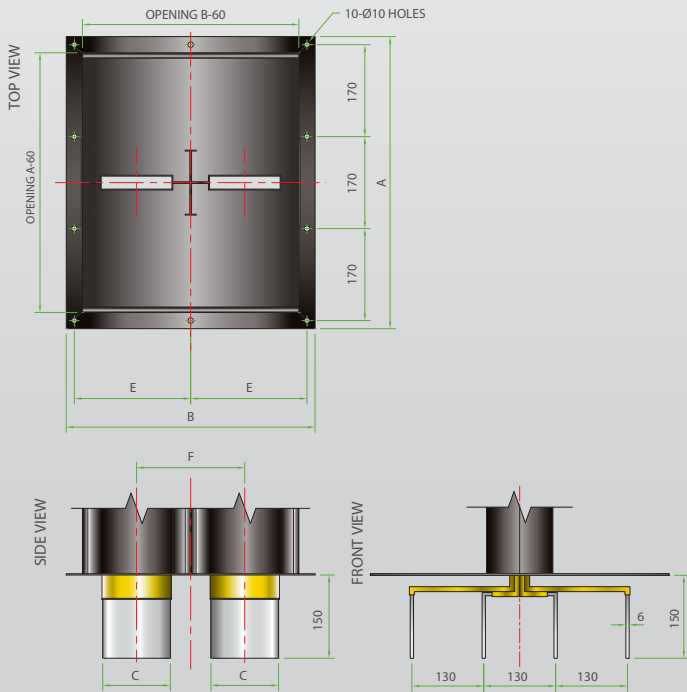
400A~2500A Flange End



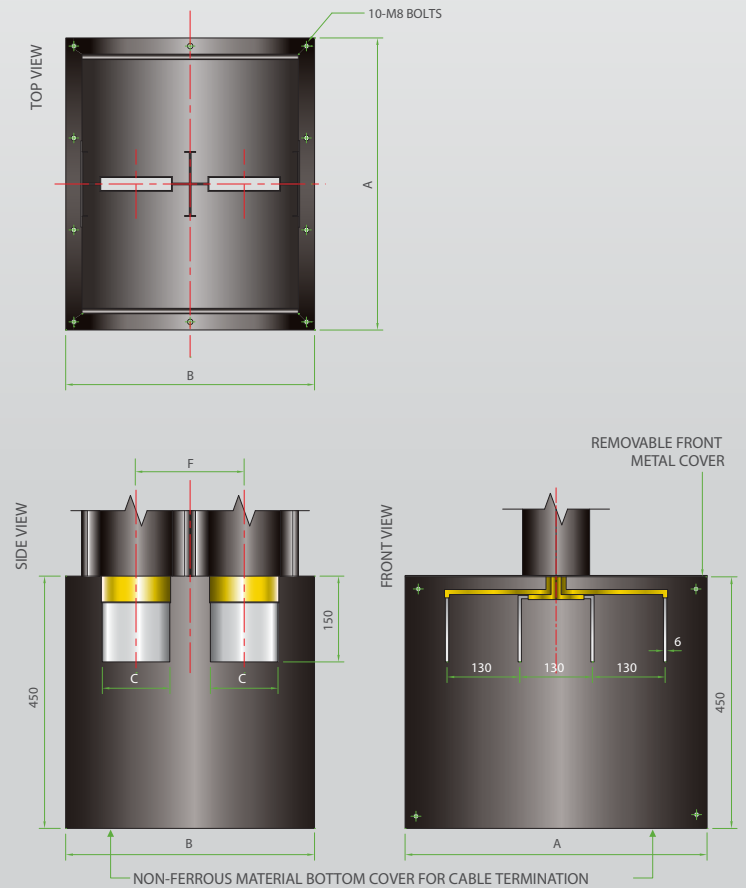
400A~2500A Flange End Box



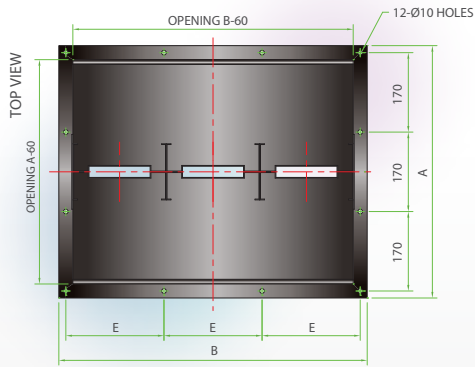
3000A~5000A Flange End



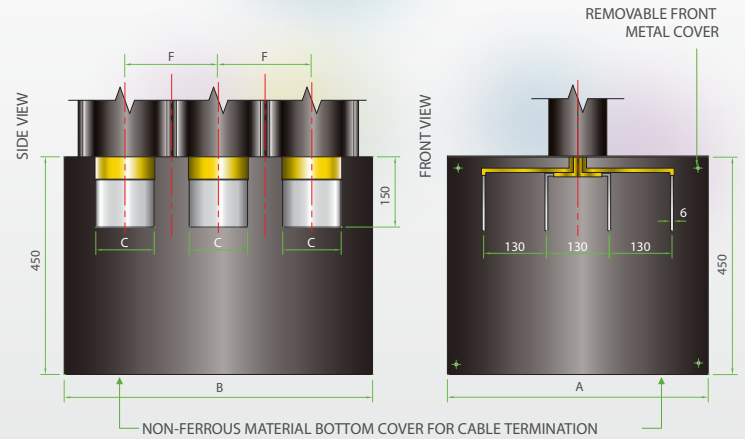
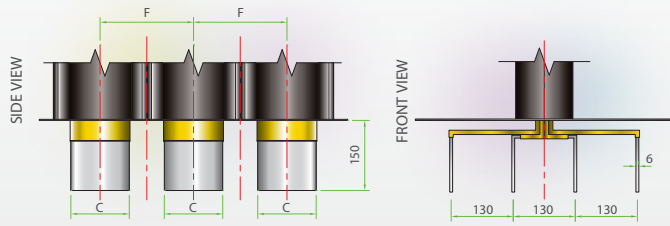
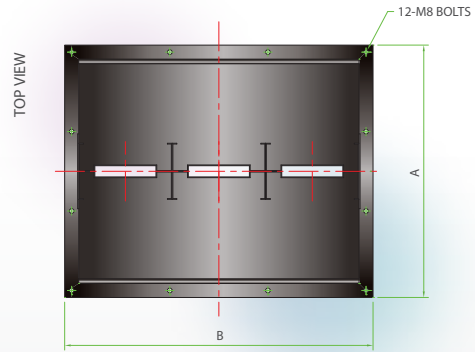
3000A~5000A Flange End Box



6300A Flange End



6300A Flange End Box



Busbar hole of Flange End / Flange End box is designed for switchboard / cable termination. Refer to Flexible Link on page 23 for Flange End termination at transformer.

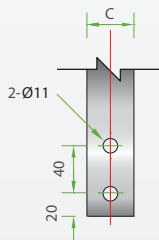


Fig. 1

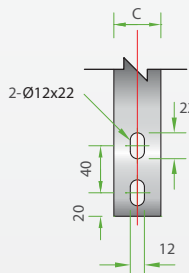


Fig. 2

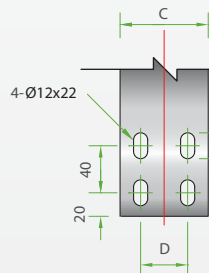


Fig. 3

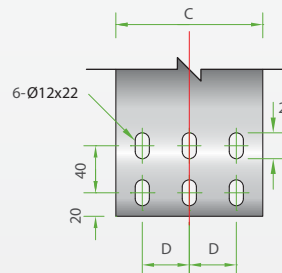


Fig. 4

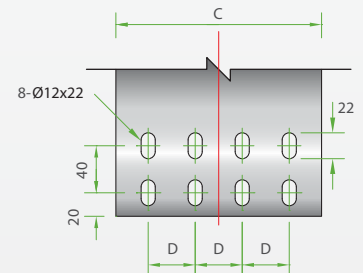


Fig. 5

Busduct Rating	Figure	A (mm)		B (mm)	C (mm)	D (mm)	E (mm)	F (mm)
		3P3W	3P4W 3P4W+E 3P5W					
400A	1	350	450	175	20	-	145	-
600A	1			175	30	-	145	-
700A	2			175	40	-	145	-
800A	2			180	45	-	150	-
1000A	2			195	60	-	165	-
1250A	3			210	75	40	180	-
1600A	3			245	110	50	215	-
1800A	4			260	125	40	230	-
2000A	4			285	150	50	255	-
2200A	5			310	175	40	280	-
2500A	5			335	200	50	305	-
3000A	3			410	540	430	110	50
3500A	4	460	125			40	215	200
4000A	4	510	150			50	240	225
4500A	5	560	175			40	265	250
5000A	5	610	200			50	290	275
6300A	5	810	175			40	260	250