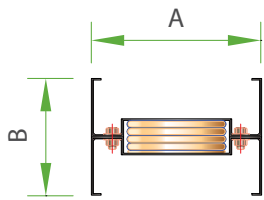
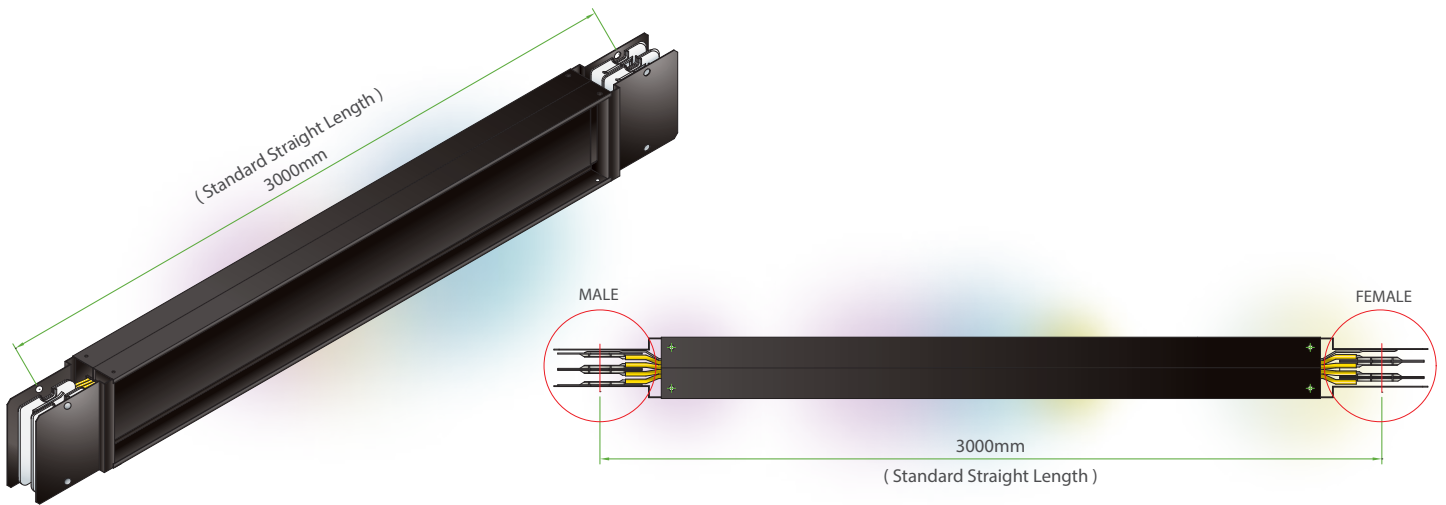


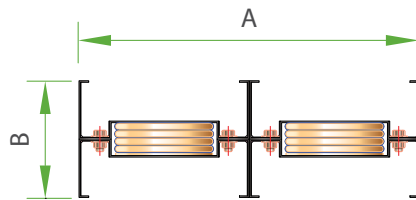
HP-ES BUSDUCT

Conductor Size



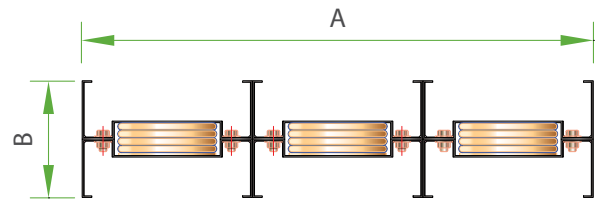
400A - 2500A

Figure 1



3000A - 5000A

Figure 2



Copper Busduct :

Busduct Rating	Model No.	A (mm)		Figure	Conductor Size per Phase (mm)	Total Weight (kg/meter)				
		3P3W 3P4W 3P4W+E 3P5W	3P3W			3P4W 3P4W+E 3P5W	3P3W	3P4W	3P5W 3P4W+E	
400A	HP-ES400C	115	100	120	1	One - 6 x 20	10.26	11.44	11.98	
600A	HP-ES600C	115				One - 6 x 30	11.94	13.67	14.49	
700A	HP-ES700C	115				One - 6 x 40	13.62	15.92	17.01	
800A	HP-ES800C	120				One - 6 x 45	14.56	17.14	18.35	
1000A	HP-ES1000C	135				One - 6 x 60	17.43	20.84	22.46	
1250A	HP-ES1250C	150				One - 6 x 75	20.49	24.75	26.78	
1600A	HP-ES1600C	185				One - 6 x 110	27.25	33.46	36.44	
1800A	HP-ES1800C	200				One - 6 x 125	30.39	37.45	40.84	
2000A	HP-ES2000C	225				One - 6 x 150	35.26	43.71	47.77	
2200A	HP-ES2200C	250				One - 6 x 175	40.41	50.27	55.00	
2500A	HP-ES2500C	275			One - 6 x 200	45.34	56.61	62.02		
3000A	HP-ES3000C	370			2	Two - 6 x 110	54.50	66.93	72.88	
3500A	HP-ES3500C	400				Two - 6 x 125	60.79	74.91	81.68	
4000A	HP-ES4000C	450				Two - 6 x 150	70.51	87.43	95.55	
4500A	HP-ES4500C	500				Two - 6 x 175	80.81	100.53	110.01	
5000A	HP-ES5000C	550				Two - 6 x 200	90.67	113.21	124.04	
6300A	HP-ES6300C	750				3	Three - 6 x 175	120.04	149.59	163.80